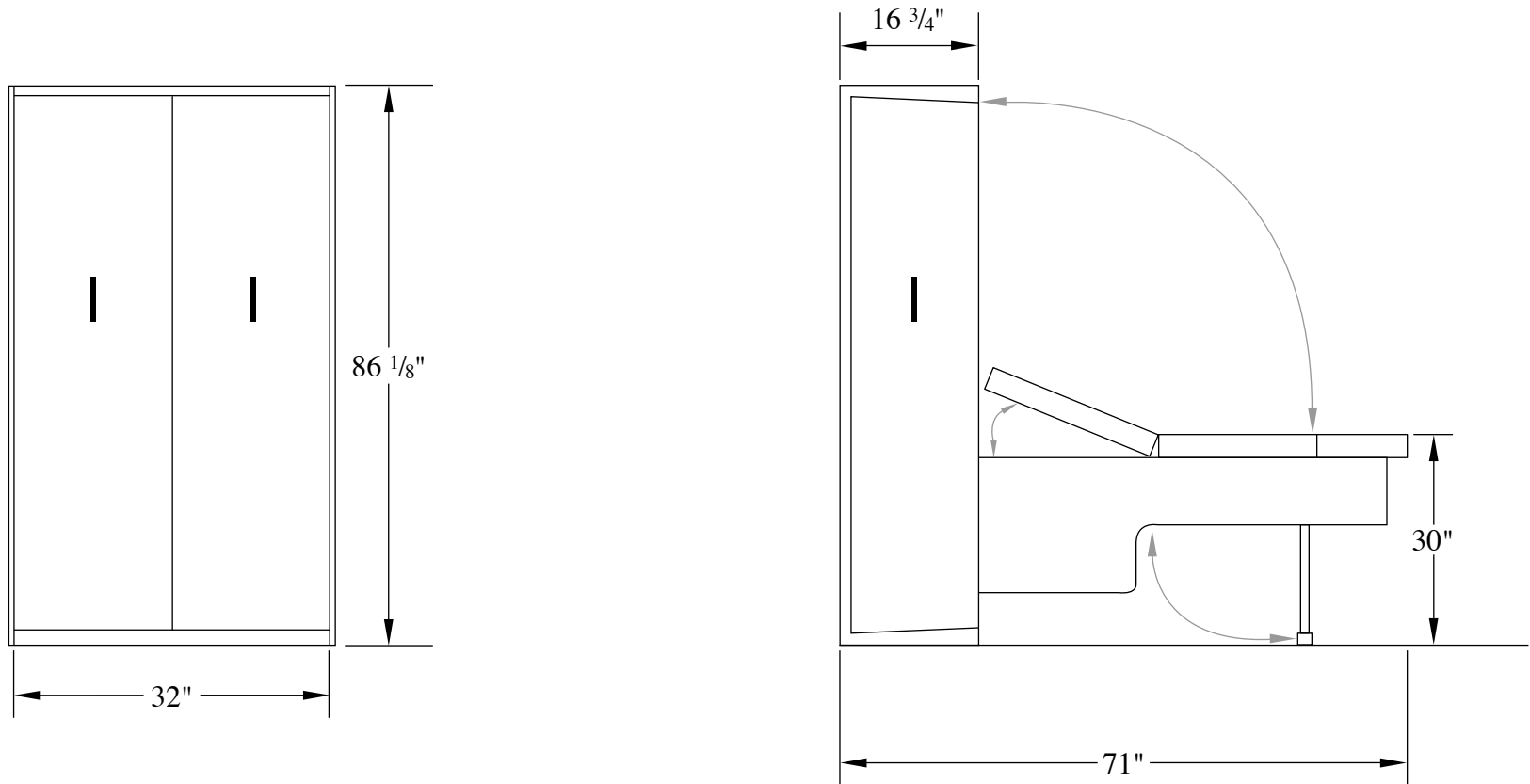


# The Pull-Out Exam Medical Table



514 N. Union  
Lima, OH 45801  
[www.wallbedsmfg.com](http://www.wallbedsmfg.com)

Phone: 419-229-5399  
877-902-6711  
Fax: 419-222-5841  
Email: [sales@wallbedsmfg.com](mailto:sales@wallbedsmfg.com)