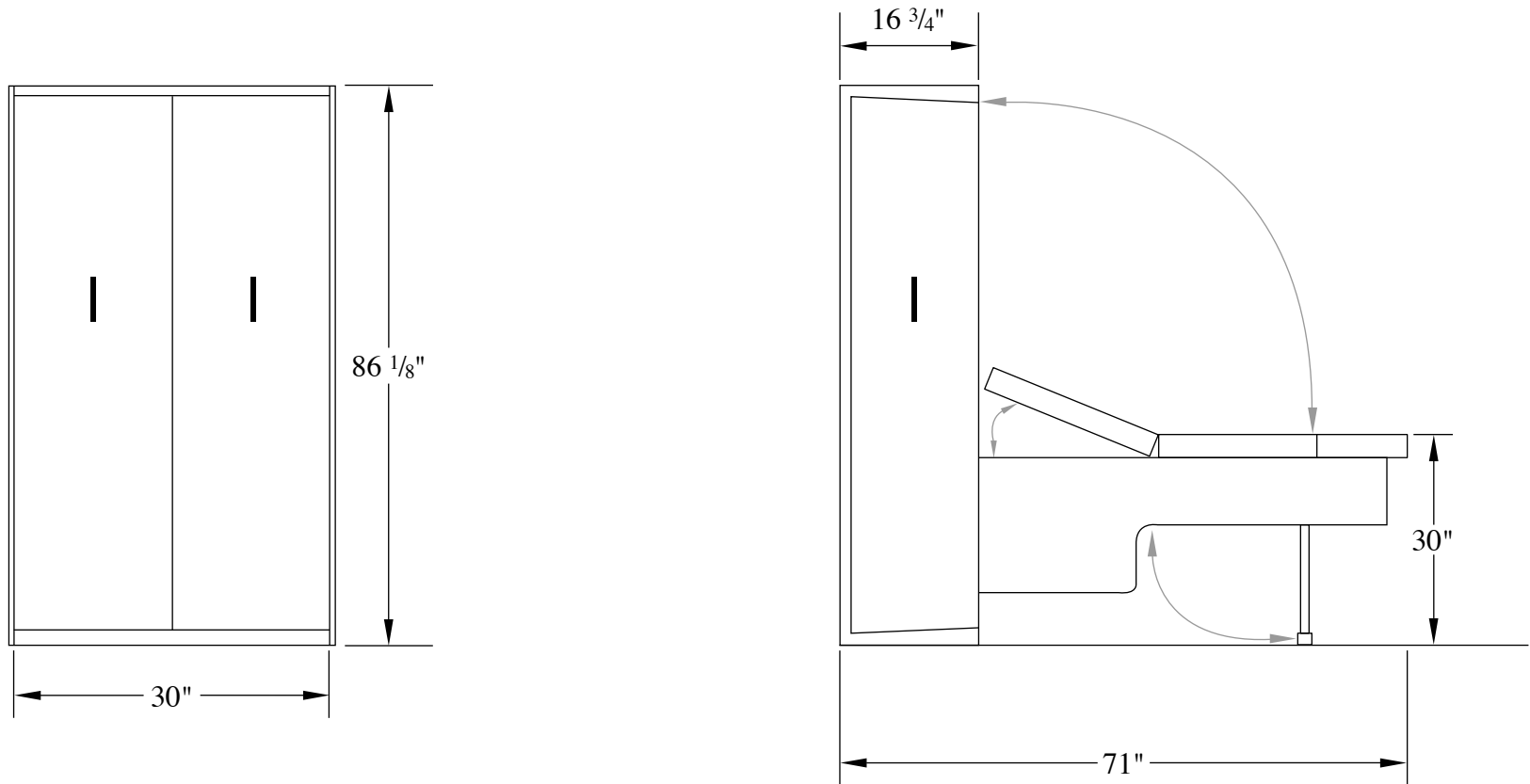


The Pull-Out Exam Medical Table



514 N. Union
Lima, OH 45801
www.wallbedsmfg.com

Phone: 419-229-5399
877-902-6711
Fax: 419-222-5841
Email: sales@wallbedsmfg.com